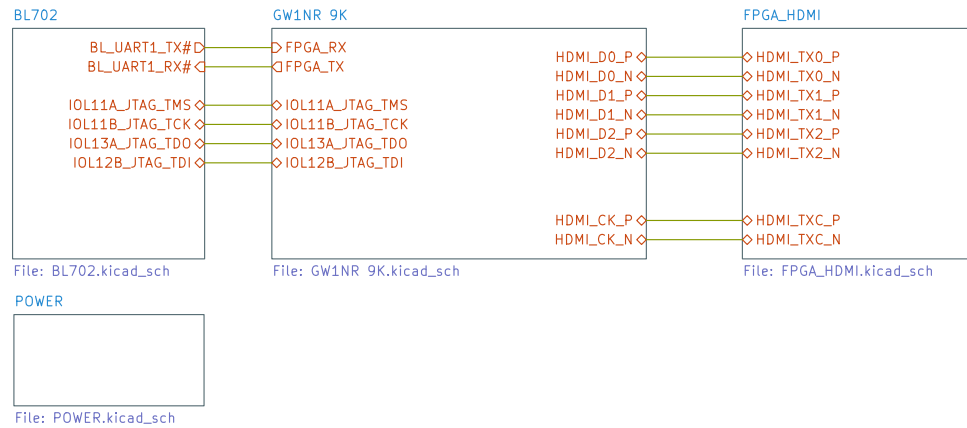


Tang Nano 9K

Revision History

Version	Date	Change Note
6200	2021/9/XX	First edition
6201	2022/6/11	Fixed the name of this pin: PIN87_IOT6B_MODE1_1V8



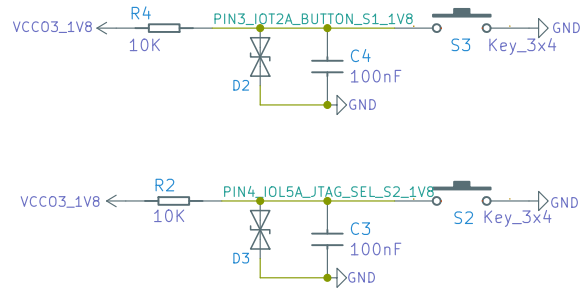
Sheet: /
File: Tang_Nano_9K_3672.kicad_sch

Title: Tang GW1N 9K

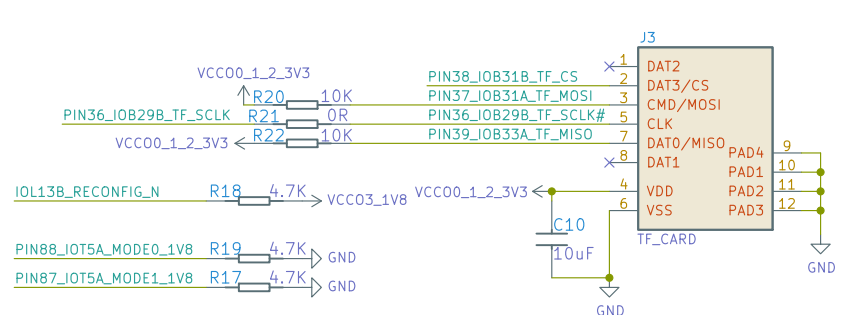
Size: A4 Date: 2021-09-22
KiCad E.D.A. kicad (6.0.4)

Rev: **NO.01**
Id: 1/5

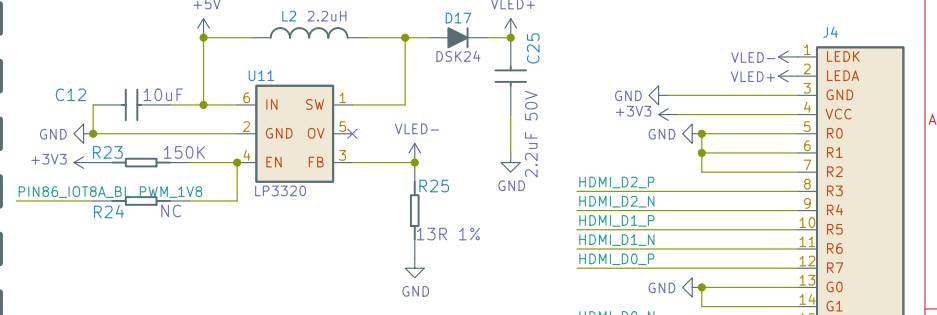
Button x 2



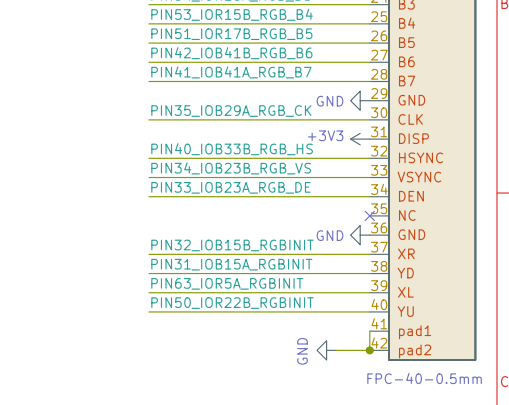
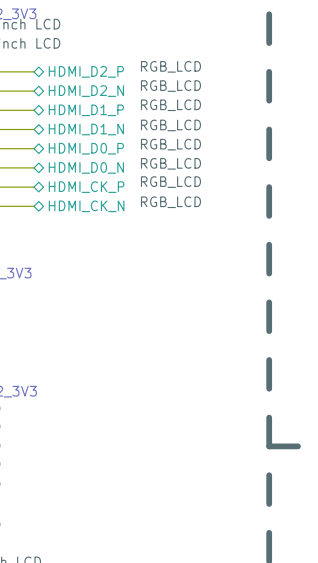
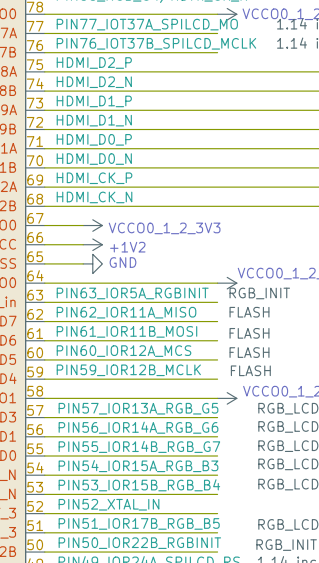
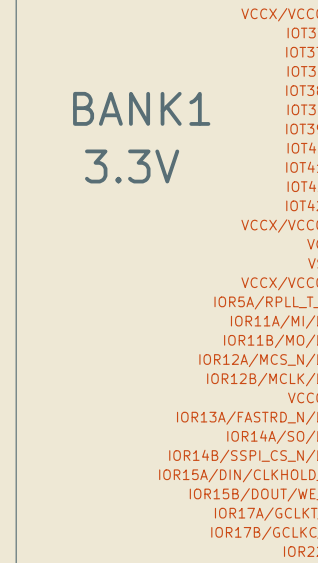
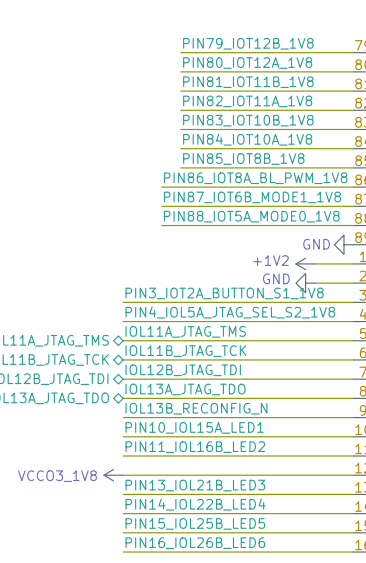
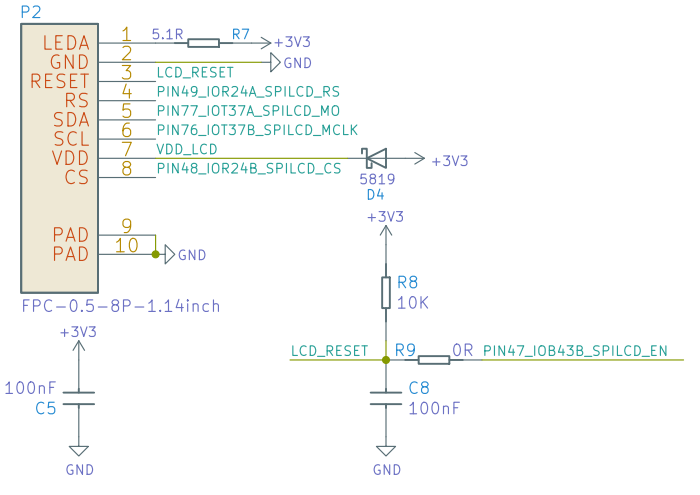
TF CARD



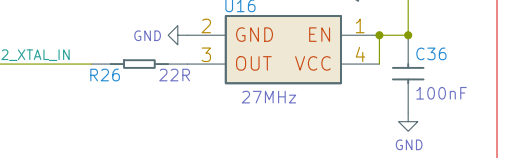
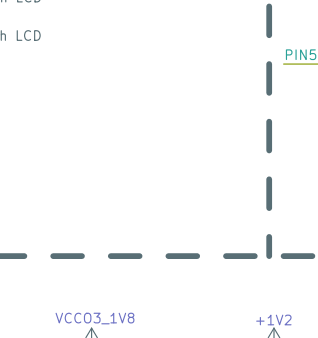
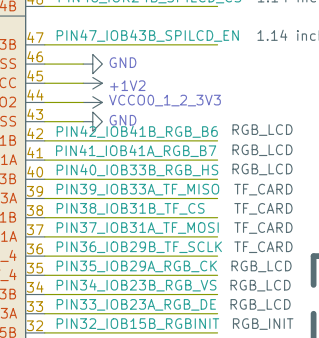
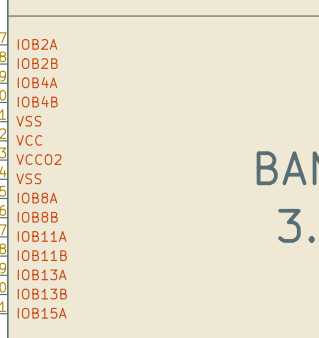
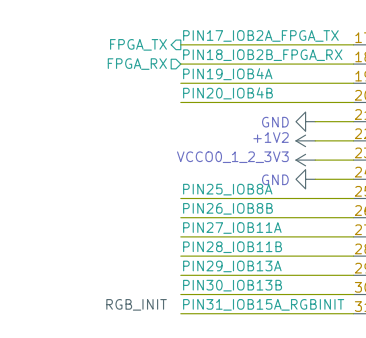
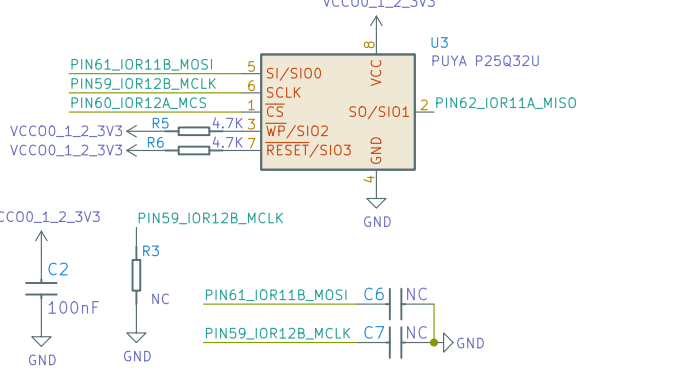
RGB LCD



1.14inch LCD

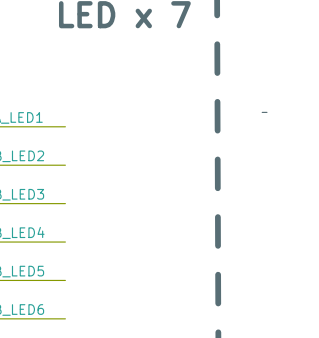
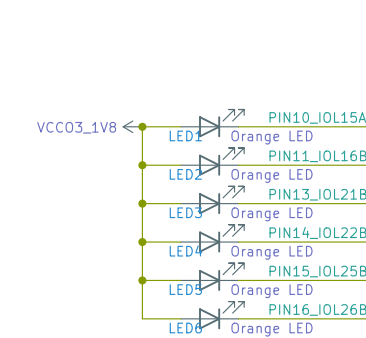
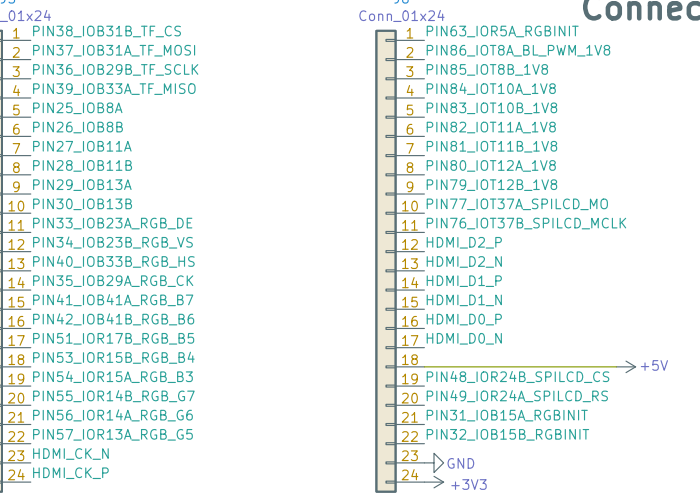


SPI FLASH

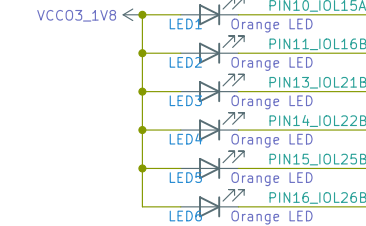


XTAL

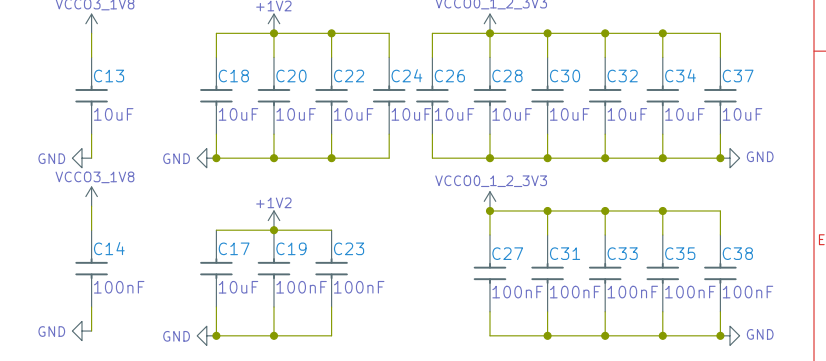
Connector

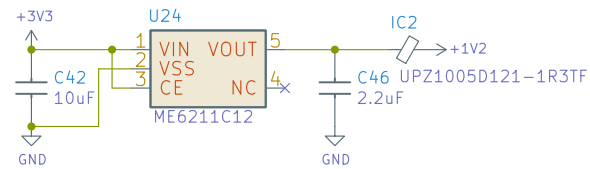
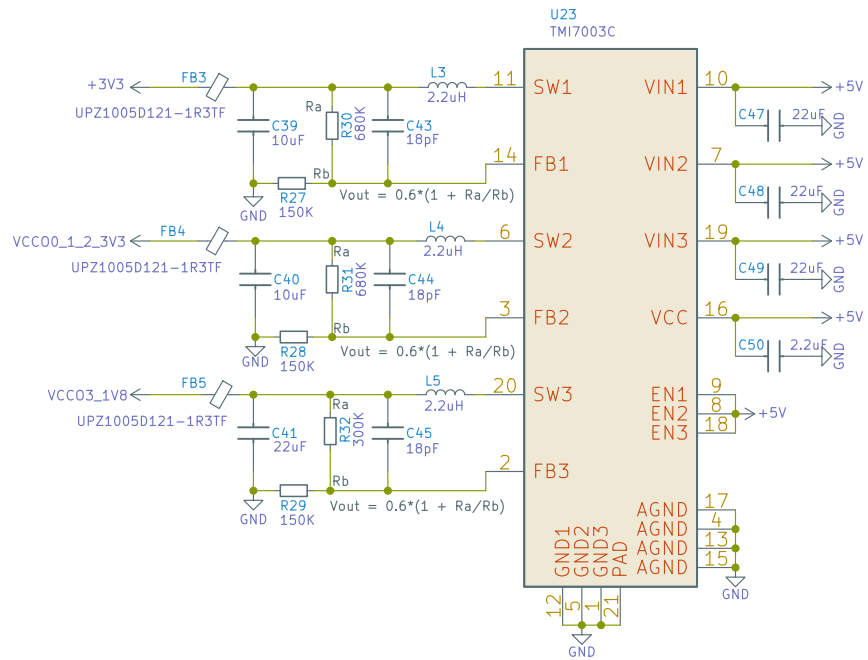


LED x 7



CAP-FPGA





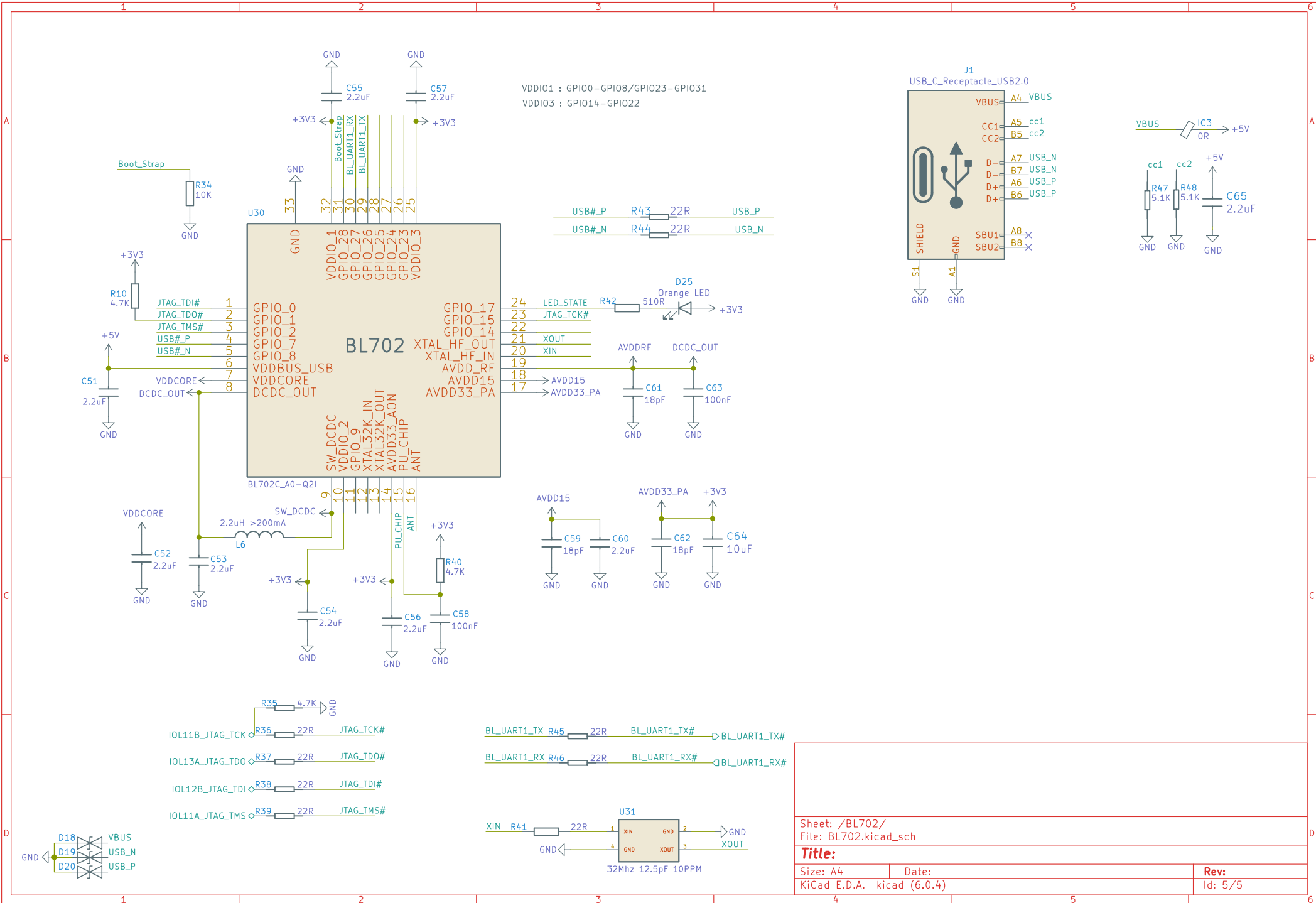
Sheet: /POWER/
 File: POWER.kicad_sch

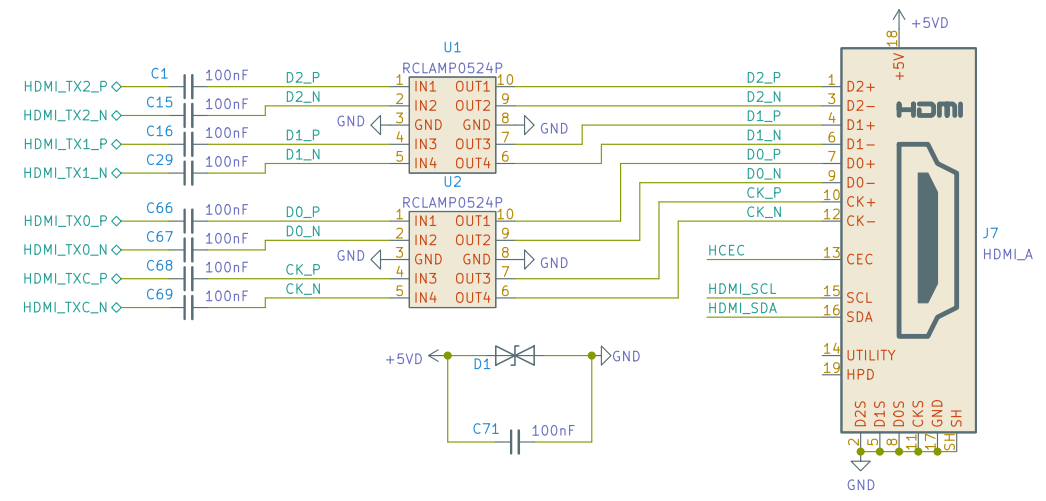
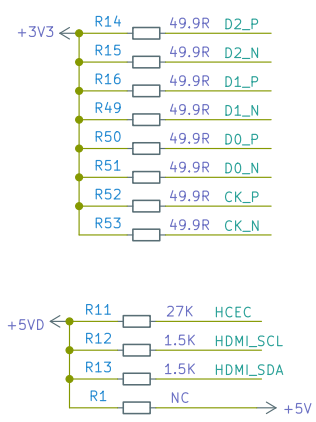
Title:

Size: A4
 KiCad E.D.A. kicad (6.0.4)

Date:

Rev:
 Id: 4/5





Sheet: /FPGA_HDMI/		
File: FPGA_HDMI.kicad_sch		
Title:		
Size: A4	Date:	Rev:
KiCad E.D.A. kicad (6.0.4)		Id: 5/5